

Premier Protean

Suitable for track bus, school bus and city express, the Premier Protean replaces traditional, metro style seats with attractive, durable seating incorporating occupant protection standards in moulded polyurethane.

Through careful selection of foam options and stainless steel frame construction specifications, particular attention has been given to ensuring passenger comfort and safety.

Widths are available for any body style including combinations for five across seating.

Trim types vary from economical transport quality vinyl and budget velours to 100% wool moquettes.

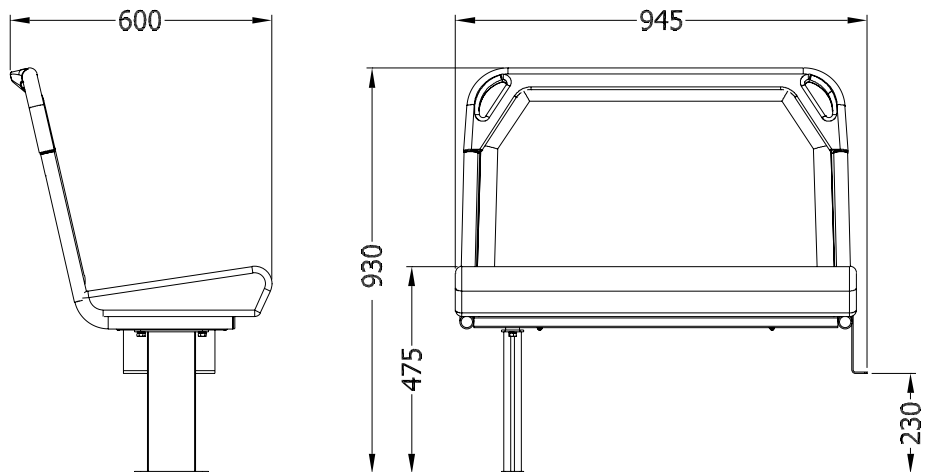


FEATURES

- Many widths available – 910 or custom plus 800 & 1200 for 5 across seating
- Strong stainless steel frames with laminex or stainless steel backs
- Back panels with no visible fixings
- Protean Cushion

OPTIONS

- Hip restraints
- Stanchion brackets
- Grey or black urethane tops
- Stainless Steel leg



StyleRide™



MANUFACTURERS OF WORLD CLASS BUS AND COACH SEATS
P (07) 3272 7550 F (07) 3272 7557 E info@styleride.com.au W www.styleride.com.au
9 Success Street Acacia Ridge QLD 4110 Australia | PO Box 76 Archerfield QLD 4108

