

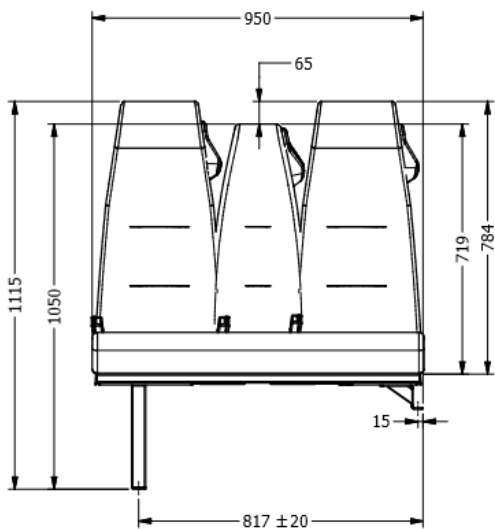
Solutions 2-3

by StyleRide

Innovative combination
2-3 seating solution for
school bus passengers

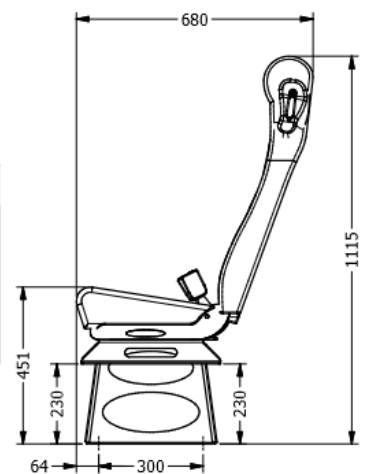


Designed for two passengers
over 12yrs, or three
passengers under 12yrs



SPECIFICATIONS	
Seat width	950mm
Seat height	1115mm
Seat weight	28.5kgs
Pitch centres	690mm

CRN: 47149



Part of the Lazzerini group of companies



Solutions 2-3

Features

Designed to meet the demands of new and replacement seating configurations



SERVICEABILITY

1. Easy to replace seat belt retractor
2. Individual seat squab covers to allow easy replacement
3. Fixed or removable seat cushion option

DESIGN

4. Individual seat belts fitted to each seat
5. Improved rear visibility through individual seat squab design
6. Superior quality dual density foam for comfort and durability
7. Obtrusion free rear head area for increased passenger safety

SAFETY

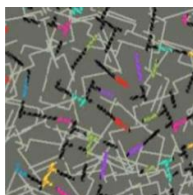
- Meets and exceeds Australian Standard ADR68
- Meets Government Notices Gazette - C2015G00099
- Fire retardant fabrics to meet State requirements*
- Child restraint capability

* Please confirm with StyleRide regarding choice and specification

Choose from a range of fabrics to suit individual requirements (other fabrics are available on request)



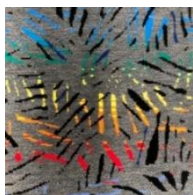
Protractor (CAA321)



Scratch (BWP053)



Chess Blue (CAF322)



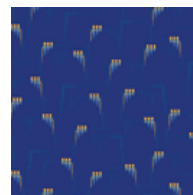
Wiger Rainbow



Chess Grey (CAF328)



Protractor (CAA326)



Wou Blue



www.styleride.com.au

enquiries to: sales@styleride.com.au